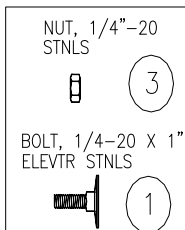
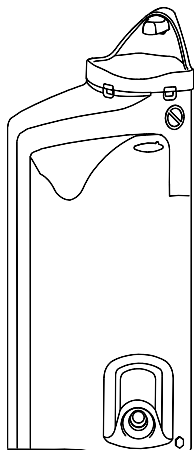


# INSTRUCTIONS FOR SLIMMATE II™ INSTALLATION

**INTRODUCTION:** Portable restrooms and accessories kits must be assembled according to approved assembly procedures. Avoid variations in assembly procedures could adversely affect product life and warranty.

**\*\*CAUTION:** The Slimmate II Handwash as well as any portable handwash unit should be cleaned and sanitized on a regular basis. **DO NOT DRINK THE WATER.**



PARTS NOT NEEDED  
WHEN ASSEMBLING  
THAL MONDO SLIMMATE

#20343 KIT, SLIMMATE™ II ADD/ON

ITEM #	PART #	QTY	DESCRIPTION
	21206	1	INSTRUCTION, SLIMMATE II™
10	14506	1	SPACER, 0.260 ID X 0.750 NYLN
9	10090	1	BOLT, 1/4-20 X 1-1/2 GR5 PLTD
ITEM #	PART #	QTY	DESCRIPTION

**TOOLS:** \*Elect/Cordless Drill \*1/4 Drill Bit \*5/16 Drill Bit \*1-1/8 Hole Saw/Drill Bit \*Pencil \*Adjustable Wrench

**NOTE:** Use #16364 Instruction, Slimmate II except for Figure #1 and #6. Use figure #1 and #6 from this Instruction for the mounting of the Thal Mondo Slimmate II.

- 1. Enlarge Hole:** Using the 5/16 drill bit enlarge the 1/4 hole. (See figure #1)
- 2. Fastening Slimmate to Panel:** Place Slimmate back in to the proper mounting location and fasten Slimmate to panel. (See figure #6) **NOTE:** (It is very important that all hoses are in their appropriate relief channels.)

FIGURE #1

Enlarge This Hole

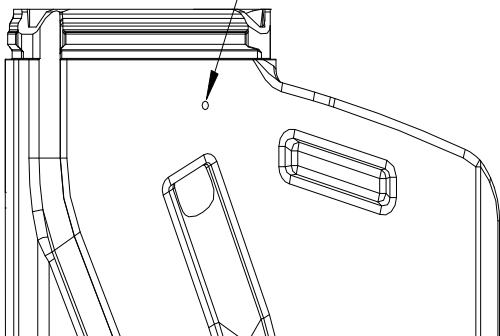
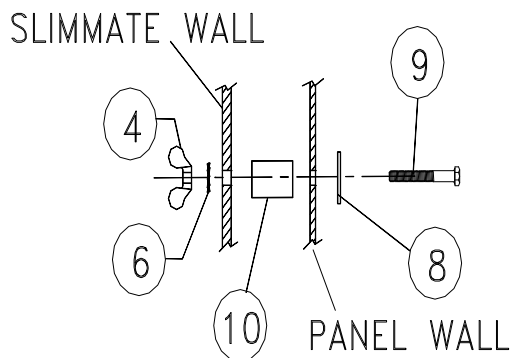


FIGURE #6



2530 Xenium Lane North, Minneapolis, MN 55441  
Telephone: 763-553-1900 Fax: 763-553-1905  
800-328-3332 web: [www.satelliteindustries.com](http://www.satelliteindustries.com)